

LUMIMAX® T1-Adapter cable IS 5x and IS 7x - Technical Data

Product image



Picture may differ from the original product

Description

- Enables a direct connection of LUMIMAX® LED lights with switching input and 12-pin M16 connector to to Cognex InSight 5x and 7x cameras*
- * You can find all supported models in our overview at lumimax.com/cognex
- Suitable for lighting with an average current consumption of up to 1.5 A with a max. 10 m camera connection cable (for applications with more powerful lighting or longer camera connection cables, ask our Service & Support Team)
- Configuration for other camera types on request
- No additional wiring effort necessary
- Providing the power supply and the strobe signal

Technical data

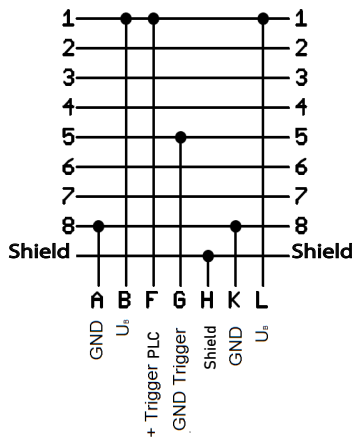
Protection class	IP64
Weight	200 g
Tariff code	85399090
Country of Origin	Germany

Internal wiring and pin assignment

IS 5x

T1-Adapter cable IS5x | Art.No. 115.0002.01

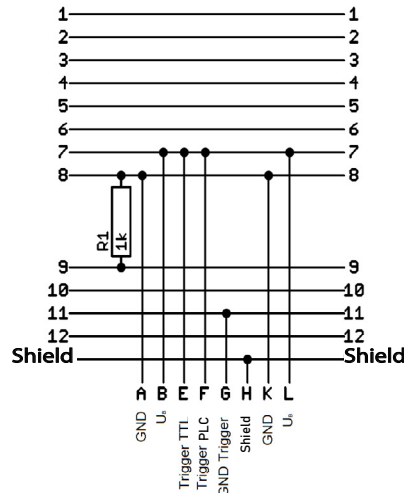
Switching input HS-OUT 1



IS 70xx, IS 72xx, IS 74xx

T1-Adapter cable IS7x - GEN1 | Art.No. 115.0002.02

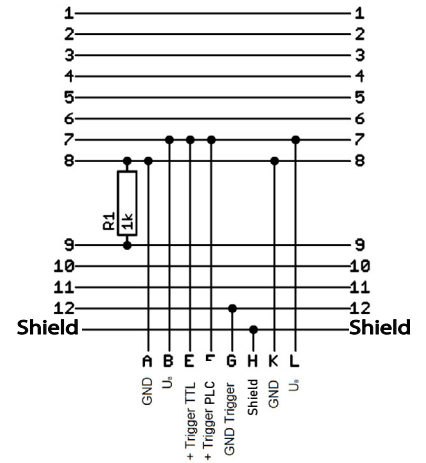
Switching input HS-OUT 0



IS 76xx, IS 78xx, IS79xx

T1-Adapter cable IS7x - GEN2 | Art.No. 115.0002.07

Switching input HS-OUT 1



Technical drawing

