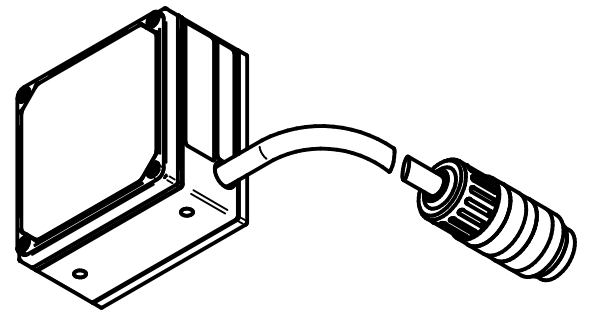
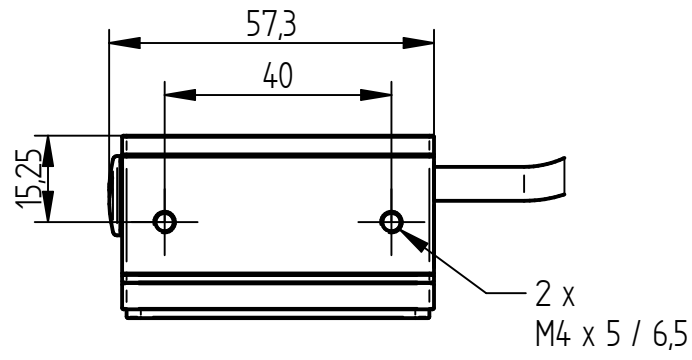
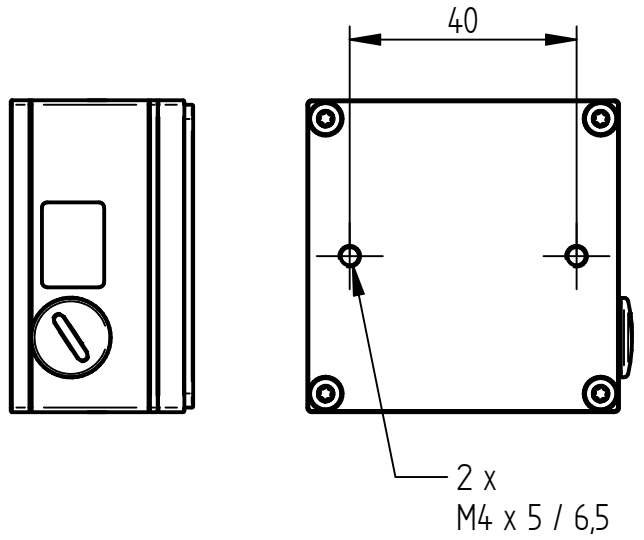
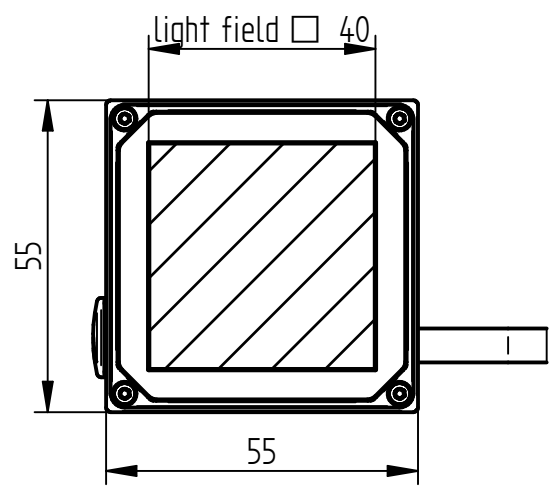
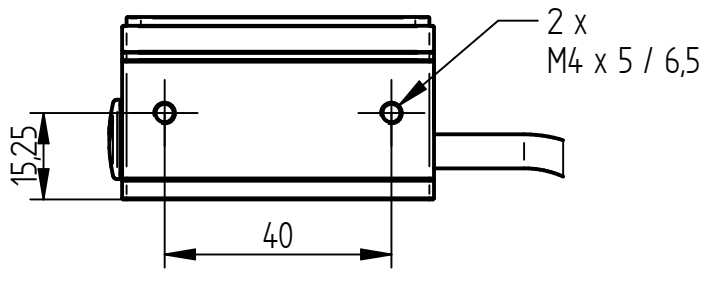


1 2 3 4

A
B
C
D
E
F



total height depending on assembled mounting frames (additional accessories)
 ALK = transparent; ALD = diffuse; DL = highly diffuse; POL = polarised; KOL = collimated

<p>ALK+POL</p> <p>32,2</p>	<p>ALK+ALD+POL</p> <p>36,8</p>	<p>DL+POL</p> <p>37,6</p>	<p>KOL+POL</p> <p>41,4</p>
<p>ALK</p> <p>27,5</p>	<p>ALK+ALD</p> <p>32,2</p>	<p>DL</p> <p>32,9</p>	<p>KOL</p> <p>36,7</p>

Schutzvermerk ISO 16016 beachten
 Observe protection notices in accordance with ISO 16016



Ausgabedatum: 02.05.2022
 date of issue:
 Dokument: Technische Zeichnung
 document: engineering drawing
 © 2020
 Web: www.iimAG.de
 Phone: +49 3681 455 19-0

Benennung / description:
 LQHP40L
 LQHP40FL
 Maßstab: 1:1,33
 scale:
 Blatt / von: 1 / TZ
 sheet / of: